

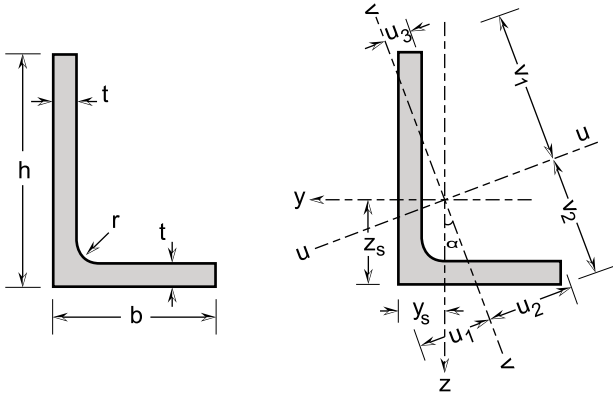
L

گروپی چیوه



Chiwa Group
For Steel & Fence

Iraq - Kurdistan - Erbil
E-mail: aram@chiwagroup.com
Tel: 066 229 4058 / 0750 445 8512
www.chiwagroup.com



Designation		Dimensions					Position of axes							
	G kg/m	h mm	b mm	t mm	r mm	A mm ² x10 ²	y _s mm	z _s mm	v ₁ mm	v ₂ mm	u ₁ mm	u ₂ mm	u ₃ mm	
L 20 x 10 x 3	0.66	20	10	3	3.5	0.82	2.77	7.62	12.69	9.08	4.46	5.61	2.72	
L 25 x 15 x 3	0.90	25	15	3	3.5	1.12	3.87	8.76	16.62	11.91	6.52	8.17	4.00	
L 30 x 15 x 3	1.03	30	15	3	5	1.29	3.56	10.75	19.54	13.18	6.04	8.71	3.55	
L 30 x 20 x 3	1.15	30	20	3	5	1.44	4.97	9.78	20.55	14.87	8.39	10.42	5.29	
L 30 x 20 x 4	1.49	30	20	4	5	1.87	5.38	10.24	20.31	15.09	8.92	10.30	5.59	
L 40 x 20 x 3	1.39	40	20	3	5	1.74	4.37	14.06	26.22	17.48	7.70	11.89	4.51	
L 40 x 20 x 4	1.82	40	20	4	6	2.28	4.76	14.42	25.97	17.67	8.10	11.64	4.79	
L 40 x 20 x 5	2.23	40	20	5	6	2.79	5.17	14.89	25.62	17.98	8.55	11.44	5.16	
L 40 x 30 x 3	1.63	40	30	3	5	2.04	7.34	12.21	27.92	21.55	12.28	14.62	8.56	
L 40 x 30 x 4	2.14	40	30	4	6	2.68	7.71	12.57	27.81	21.64	12.75	14.49	8.68	
L 40 x 30 x 5	2.63	40	30	5	6	3.29	8.12	13.01	27.63	21.80	13.30	14.44	8.93	
L 45 x 30 x 3	1.77	45	30	3	7	2.21	6.80	13.94	31.25	21.89	11.70	16.00	7.53	
L 45 x 30 x 4	2.31	45	30	4	7	2.89	7.26	14.49	30.92	22.23	12.36	15.72	7.85	
L 45 x 30 x 5	2.84	45	30	5	7	3.55	7.69	14.97	30.65	22.48	12.92	15.57	8.15	
L 50 x 30 x 3	1.89	50	30	3	7	2.36	6.46	16.02	34.21	22.88	11.38	16.98	6.97	
L 50 x 30 x 4	2.47	50	30	4	7	3.09	6.92	16.58	33.83	23.28	12.02	16.66	7.33	
L 50 x 30 x 5	3.04	50	30	5	7	3.80	7.35	17.07	33.51	23.57	12.56	16.46	7.66	
L 50 x 40 x 3	2.13	50	40	3	7	2.66	9.58	14.38	35.35	28.20	15.70	18.61	11.77	
L 50 x 40 x 4	2.79	50	40	4	7	3.49	10.06	14.91	35.14	28.43	16.40	18.41	11.97	
L 50 x 40 x 5	3.44	50	40	5	7	4.30	10.50	15.38	34.98	28.58	17.01	18.33	12.19	
L 60 x 30 x 5	3.45	60	30	5	8	4.32	6.75	21.28	39.20	26.31	11.75	17.70	6.91	
L 60 x 30 x 6	4.09	60	30	6	8	5.11	7.17	21.76	38.83	26.65	12.23	17.48	7.28	
L 60 x 30 x 7	4.70	60	30	7	8	5.88	7.57	22.22	38.50	26.94	12.66	17.30	7.64	

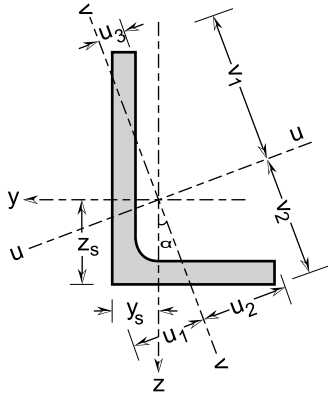
L

گروپی چیوه



Chiwa Group
For Steel & Fence

Iraq - Kurdistan - Erbil
E-mail: aram@chiwagroup.com
Tel: 066 229 4058 / 0750 445 8512
www.chiwagroup.com



Designation	Axis y-y			Axis z-z			Axis u-u		Axis v-v		I_{yz} mm ⁴ x10 ⁴	
	I_y mm ⁴ x10 ⁴	$W_{el,y}$ mm ³ x10 ³	i_y mm x10	I_z mm ⁴ x10 ⁴	$W_{el,z}$ mm ³ x10 ³	i_z mm x10	I_u mm ⁴ x10 ⁴	i_u mm x10	I_v mm ⁴ x10 ⁴	i_v mm x10		
L 20 x 10 x 3	0.31	0.25	0.61	0.05	0.07	0.24	0.32	0.63	0.03	0.20	-0.06	13.3
L 25 x 15 x 3	0.68	0.42	0.78	0.18	0.16	0.40	0.74	0.81	0.11	0.31	-0.19	19.0
L 30 x 15 x 3	1.12	0.58	0.93	0.18	0.16	0.37	1.18	0.96	0.12	0.30	-0.25	13.9
L 30 x 20 x 3	1.23	0.61	0.93	0.43	0.28	0.55	1.41	0.99	0.25	0.42	-0.42	22.9
L 30 x 20 x 4	1.57	0.80	0.92	0.54	0.37	0.54	1.79	0.98	0.32	0.42	-0.52	22.7
L 40 x 20 x 3	2.78	1.07	1.27	0.46	0.29	0.51	2.94	1.30	0.30	0.42	-0.63	14.2
L 40 x 20 x 4	3.55	1.39	1.25	0.57	0.38	0.50	3.74	1.28	0.38	0.41	-0.79	14.0
L 40 x 20 x 5	4.28	1.70	1.24	0.69	0.47	0.50	4.50	1.27	0.46	0.41	-0.93	13.7
L 40 x 30 x 3	3.19	1.15	1.25	1.53	0.67	0.87	3.88	1.38	0.83	0.64	-1.28	28.5
L 40 x 30 x 4	4.08	1.49	1.23	1.94	0.87	0.85	4.95	1.36	1.06	0.63	-1.63	28.3
L 40 x 30 x 5	4.94	1.83	1.23	2.34	1.07	0.84	5.98	1.35	1.29	0.63	-1.95	28.2
L 45 x 30 x 3	4.34	1.40	1.40	1.51	0.65	0.83	4.96	1.50	0.89	0.64	-1.46	23.0
L 45 x 30 x 4	5.65	1.85	1.40	1.97	0.87	0.82	6.46	1.49	1.16	0.63	-1.91	23.0
L 45 x 30 x 5	6.86	2.29	1.39	2.38	1.07	0.82	7.84	1.49	1.41	0.63	-2.31	23.0
L 50 x 30 x 3	5.85	1.72	1.57	1.55	0.66	0.81	6.44	1.65	0.96	0.64	-1.71	19.2
L 50 x 30 x 4	7.61	2.28	1.57	2.02	0.88	0.81	8.39	1.65	1.24	0.63	-2.23	19.3
L 50 x 30 x 5	9.26	2.81	1.56	2.45	1.08	0.80	10.20	1.64	1.51	0.63	-2.70	19.2
L 50 x 40 x 3	6.41	1.80	1.55	3.62	1.19	1.17	8.12	1.75	1.91	0.85	-2.78	31.6
L 50 x 40 x 4	8.37	2.39	1.55	4.72	1.58	1.16	10.63	1.74	2.46	0.84	-3.65	31.7
L 50 x 40 x 5	10.21	2.95	1.54	5.75	1.95	1.16	12.96	1.74	3.00	0.84	-4.45	31.7
L 60 x 30 x 5	15.41	3.98	1.89	2.53	1.09	0.77	16.29	1.94	1.65	0.62	-3.47	14.2
L 60 x 30 x 6	18.05	4.72	1.88	2.95	1.29	0.76	19.06	1.93	1.95	0.62	-4.02	14.0
L 60 x 30 x 7	20.54	5.44	1.87	3.35	1.49	0.75	21.65	1.92	2.23	0.62	-4.51	13.8

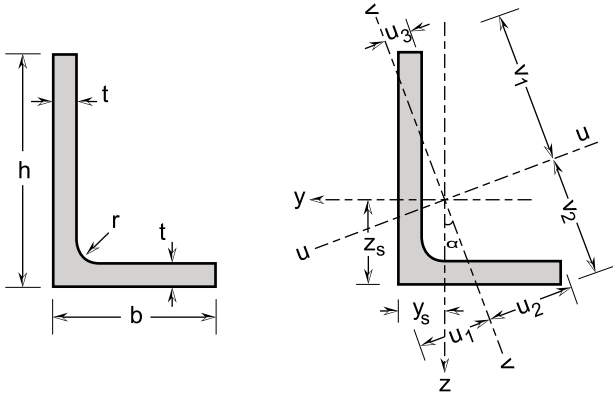
L

گروپی چیوه



Chiwa Group
For Steel & Fence

Iraq - Kurdistan - Erbil
E-mail: aram@chiwagroup.com
Tel: 066 229 4058 / 0750 445 8512
www.chiwagroup.com



Designation		Dimensions					Position of axes							
	G kg/m	h mm	b mm	t mm	r mm	A mm ² x10 ²	y _s mm	z _s mm	v ₁ mm	v ₂ mm	u ₁ mm	u ₂ mm	u ₃ mm	
L 60 x 40 x 5	3.85	60	40	5	8 / 2 *	4.82	9.61	19.33	41.17	29.74	16.45	21.03	10.54	
L 60 x 40 x 6	4.52	60	40	6	8 / 2 *	5.64	10.22	20.20	40.57	30.41	17.43	21.33	11.69	
L 65 x 50 x 5	4.40	65	50	5	9 / 2 *	5.50	12.70	20.19	45.11	36.22	21.14	24.21	15.53	
L 65 x 50 x 7	6.05	65	50	7	9 / 2 *	7.56	13.44	20.93	44.90	36.38	22.09	24.37	16.04	
L 65 x 50 x 8	6.92	65	50	8	9 / 2 *	8.65	13.59	20.94	45.04	36.16	22.15	23.67	15.20	
L 65 x 50 x 9	7.64	65	50	9	9 / 2 *	9.54	14.16	21.65	44.69	36.53	23.00	24.56	16.56	
L 70 x 50 x 6	5.48	70	50	6	9 / 2 *	6.84	12.63	22.62	48.02	36.97	21.43	25.61	14.97	
L 70 x 50 x 7	6.33	70	50	7	9 / 2 *	7.91	13.00	22.99	47.88	37.07	21.88	25.65	15.24	
L 70 x 50 x 8	7.17	70	50	8	9 / 2 *	8.96	13.36	23.35	47.74	37.17	22.33	25.71	15.52	
L 70 x 50 x 9	8.00	70	50	9	9 / 2 *	9.99	13.72	23.72	47.60	37.26	22.76	25.76	15.79	
L 75 x 50 x 6	5.72	75	50	6	9 / 2 *	7.14	12.23	24.71	50.95	37.85	21.16	26.70	14.26	
L 75 x 50 x 7	6.61	75	50	7	9 / 2 *	8.26	12.60	25.08	50.78	37.97	21.59	26.71	14.55	
L 75 x 50 x 8	7.49	75	50	8	9 / 2 *	9.36	12.96	25.45	50.62	38.08	22.02	26.73	14.84	
L 75 x 55 x 6	5.96	75	55	6	9 / 2 *	7.44	13.85	23.84	51.70	40.32	23.39	27.67	16.65	
L 75 x 55 x 7	6.89	75	55	7	9 / 2 *	8.61	14.22	24.21	51.57	40.42	23.86	27.72	16.92	
L 75 x 55 x 8	7.81	75	55	8	9 / 2 *	9.76	14.58	24.57	51.44	40.51	24.31	27.79	17.19	
L 75 x 55 x 9	8.72	75	55	9	9 / 2 *	10.89	14.94	24.94	51.32	40.59	24.76	27.85	17.45	
L 80 x 40 x 6	5.48	80	40	6	10 / 2 *	6.84	8.95	28.93	51.67	35.87	16.02	23.97	9.91	
L 80 x 40 x 8	7.17	80	40	8	10 / 2 *	8.96	9.71	29.69	51.15	36.26	16.75	23.77	10.58	
L 80 x 65 x 6	6.68	80	65	6	10 / 2 *	8.34	16.77	24.27	55.86	46.64	27.30	30.07	20.98	
L 80 x 65 x 8	8.77	80	65	8	10 / 2 *	10.96	17.51	25.00	55.70	46.77	28.27	30.29	21.47	
L 80 x 65 x 10	10.80	80	65	10	10 / 2 *	13.50	18.23	25.72	55.53	46.89	29.23	30.52	21.97	
L 90 x 60 x 6	6.92	90	60	6	11 / 2 *	8.64	14.23	29.22	61.33	45.28	24.87	32.08	16.84	
L 90 x 60 x 8	9.09	90	60	8	11 / 2 *	11.36	14.97	29.96	61.00	45.52	25.75	32.10	17.41	

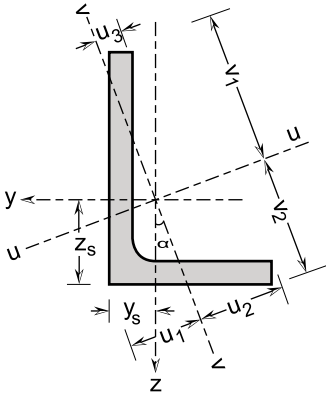
L

گروپی چیوه



Chiwa Group
For Steel & Fence

Iraq - Kurdistan - Erbil
E-mail: aram@chiwagroup.com
Tel: 066 229 4058 / 0750 445 8512
www.chiwagroup.com



Designation	Axis y-y			Axis z-z			Axis u-u		Axis v-v		I _{yz} mm ⁴ x10 ⁴	
	I _y mm ⁴ x10 ⁴	W _{el,y} mm ³ x10 ³	i _y mm x10	I _z mm ⁴ x10 ⁴	W _{el,z} mm ³ x10 ³	i _z mm x10	I _u mm ⁴ x10 ⁴	i _u mm x10	I _v mm ⁴ x10 ⁴	i _v mm x10		
L 60 x 40 x 5	17.00	4.18	1.88	5.98	1.97	1.11	19.49	2.01	3.49	0.85	-5.79	23.7
L 60 x 40 x 6	20.33	5.11	1.90	7.26	2.44	1.13	23.38	2.04	4.21	0.86	-7.01	23.5
L 65 x 50 x 5	23.43	5.23	2.06	12.15	3.26	1.49	29.22	2.30	6.36	1.07	-9.94	30.2
L 65 x 50 x 7	31.35	7.11	2.04	16.12	4.41	1.46	38.89	2.27	8.57	1.06	-13.11	29.9
L 65 x 50 x 8	34.40	7.81	1.99	17.44	4.79	1.42	42.40	2.21	9.44	1.04	-14.13	29.5
L 65 x 50 x 9	38.56		2.01	19.68	5.49	1.44	47.54	2.23	10.70	1.06	-15.82	29.6
L 70 x 50 x 6	33.80	7.13	2.22	14.49	3.88	1.45	40.29	2.43	8.00	1.08	-12.94	26.6
L 70 x 50 x 7	38.60	8.21	2.21	16.46	4.45	1.44	45.90	2.41	9.17	1.08	-14.66	26.5
L 70 x 50 x 8	43.19	9.26	2.20	18.34	5.00	1.43	51.22	2.39	10.31	1.07	-16.25	26.3
L 70 x 50 x 9	47.59	10.28	2.18	20.11	5.54	1.42	56.27	2.37	11.43	1.07	-17.72	26.1
L 75 x 50 x 6	40.94	8.14	2.39	14.77	3.91	1.44	47.26	2.57	8.45	1.09	-14.32	23.8
L 75 x 50 x 7	46.81	9.38	2.38	16.78	4.49	1.42	53.91	2.55	9.68	1.08	-16.23	23.6
L 75 x 50 x 8	52.44	10.58	2.37	18.69	5.05	1.41	60.25	2.54	10.89	1.08	-18.01	23.4
L 75 x 55 x 6	42.31	8.27	2.38	19.43	4.72	1.62	51.23	2.62	10.52	1.19	-16.84	27.9
L 75 x 55 x 7	48.39	9.53	2.37	22.13	5.43	1.60	58.46	2.61	12.06	1.18	-19.12	27.8
L 75 x 55 x 8	54.23	10.75	2.36	24.69	6.11	1.59	65.35	2.59	13.57	1.18	-21.26	27.6
L 75 x 55 x 9	59.83	11.95	2.34	27.13	6.77	1.58	71.91	2.57	15.05	1.18	-23.26	27.4
L 80 x 40 x 6	45.24	8.86	2.57	7.82	2.52	1.07	48.02	2.65	5.04	0.86	-10.57	14.7
L 80 x 40 x 8	57.94	11.52	2.54	9.82	3.24	1.05	61.30	2.62	6.46	0.85	-13.15	14.3
L 80 x 65 x 6	53.55	9.61	2.53	31.89	6.61	1.95	69.46	2.89	15.98	1.38	-24.45	33.1
L 80 x 65 x 8	68.84	12.52	2.51	40.77	8.58	1.93	88.94	2.85	20.67	1.37	-31.11	32.9
L 80 x 65 x 10	83.00	15.29	2.48	48.91	10.46	1.90	106.73	2.81	25.19	1.37	-37.04	32.6
L 90 x 60 x 6	72.22	11.88	2.89	26.22	5.73	1.74	83.54	3.11	14.91	1.31	-25.47	24.0
L 90 x 60 x 8	93.10	15.51	2.86	33.45	7.43	1.72	107.30	3.07	19.24	1.30	-32.39	23.7

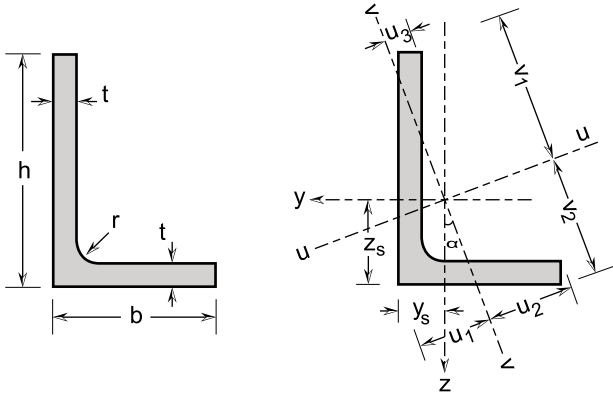
L

گروپی چیوه



Chiwa Group
For Steel & Fence

Iraq - Kurdistan - Erbil
E-mail: aram@chiwagroup.com
Tel: 066 229 4058 / 0750 445 8512
www.chiwagroup.com



Designation		Dimensions					Position of axes							
	G kg/m	h mm	b mm	t mm	r mm	A mm ² x10 ²	y _s mm	z _s mm	v ₁ mm	v ₂ mm	u ₁ mm	u ₂ mm	u ₃ mm	
L 100 x 50 x 6	6.92	100	50	6	12 / 2 *	8.64	10.63	35.60	64.96	44.56	19.46	30.17	11.94	
L 100 x 50 x 8	9.09	100	50	8	12 / 2 *	11.36	11.39	36.37	64.44	44.96	20.22	29.96	12.61	
L 100 x 50 x 10	11.20	100	50	10	12 / 2 *	14.00	12.14	37.12	63.93	45.34	20.95	29.76	13.28	
L 100 x 65 x 6	7.64	100	65	6	12 / 2 *	9.54	15.04	32.53	67.97	49.49	26.58	35.27	17.79	
L 100 x 65 x 7	8.85	100	65	7	12 / 2 *	11.06	15.42	32.90	67.80	49.62	27.02	35.26	18.08	
L 100 x 65 x 8	10.05	100	65	8	12 / 2 *	12.56	15.79	33.28	67.63	49.75	27.45	35.26	18.37	
L 100 x 65 x 9	11.24	100	65	9	12 / 2 *	14.04	16.16	33.65	67.45	49.87	27.88	35.26	18.66	
L 100 x 65 x 10	12.40	100	65	10	12 / 2 *	15.50	16.52	34.01	67.28	49.99	28.30	35.27	18.95	
L 100 x 75 x 6	8.12	100	75	6	12 / 2 *	10.14	18.29	30.78	69.36	54.51	30.97	37.08	22.64	
L 100 x 75 x 7	9.41	100	75	7	12 / 2 *	11.76	18.66	31.15	69.24	54.60	31.45	37.14	22.90	
L 100 x 75 x 8	10.69	100	75	8	12 / 2 *	13.36	19.03	31.52	69.13	54.69	31.92	37.21	23.16	
L 100 x 75 x 9	11.96	100	75	9	12 / 2 *	14.94	19.40	31.89	69.01	54.77	32.38	37.28	23.42	
L 100 x 75 x 10	13.20	100	75	10	12 / 2 *	16.50	19.76	32.26	68.89	54.86	32.85	37.35	23.69	
L 120 x 80 x 6	9.32	120	80	6	13 / 2 *	11.64	18.24	38.23	82.08	60.15	32.29	42.84	21.98	
L 120 x 80 x 8	12.29	120	80	8	13 / 2 *	15.36	18.99	38.98	81.75	60.40	33.18	42.85	22.55	
L 120 x 80 x 10	15.20	120	80	10	13 / 2 *	19.00	19.73	39.72	81.43	60.64	34.06	42.87	23.12	
L 130 x 65 x 6	9.08	130	65	6	14 / 2 *	11.34	13.13	45.61	84.89	57.59	24.61	39.47	14.98	
L 130 x 65 x 8	11.97	130	65	8	14 / 2 *	14.96	13.90	46.38	84.38	57.99	25.39	39.25	15.66	
L 130 x 65 x 10	14.80	130	65	10	14 / 2 *	18.50	14.65	47.14	83.86	58.38	26.15	39.04	16.33	
L 130 x 75 x 6	9.56	130	75	6	14 / 2 *	11.94	15.99	43.47	86.99	60.41	29.35	43.20	18.65	
L 130 x 75 x 8	12.61	130	75	8	14 / 2 *	15.76	16.74	44.23	86.57	60.73	30.18	43.09	19.28	
L 130 x 75 x 10	15.60	130	75	10	14 / 2 *	19.50	17.49	44.98	86.14	61.05	30.99	42.98	19.91	
L 130 x 90 x 10	16.80	130	90	10	14 / 2 *	21.00	22.13	42.12	88.88	67.16	38.06	47.20	26.40	
L 130 x 90 x 12	19.97	130	90	12	14 / 2 *	24.96	22.87	42.86	88.58	67.37	38.94	47.26	26.95	
L 140 x 90 x 8	14.21	140	90	8	15 / 2 *	17.76	20.61	45.60	95.05	68.83	36.60	49.22	24.47	
L 140 x 90 x 10	17.60	140	90	10	15 / 2 *	22.00	21.35	46.34	94.70	69.09	37.47	49.20	25.05	

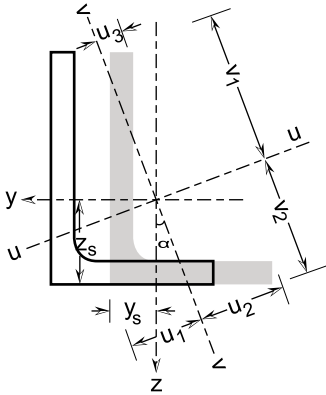
L

گروپی چیوه



Chiwa Group
For Steel & Fence

Iraq - Kurdistan - Erbil
E-mail: aram@chiwagroup.com
Tel: 066 229 4058 / 0750 445 8512
www.chiwagroup.com



Designation	Axis y-y			Axis z-z			Axis u-u		Axis v-v			
	l_y mm ⁴ x10 ⁴	$W_{el,y}$ mm ³ x10 ³	i_y mm x10	l_z mm ⁴ x10 ⁴	$W_{el,z}$ mm ³ x10 ³	i_z mm x10	l_u mm ⁴ x10 ⁴	i_u mm x10	l_v mm ⁴ x10 ⁴	i_v mm x10	l_{yz} mm ⁴ x10 ⁴	
L 100 x 50 x 6	90.54	14.06	3.24	15.87	4.03	1.35	96.29	3.34	10.12	1.08	-21.50	15.0
L 100 x 50 x 8	116.88	18.37	3.21	20.12	5.21	1.33	123.99	3.30	13.01	1.07	-27.18	14.7
L 100 x 50 x 10	141.48	22.50	3.18	23.99	6.34	1.31	149.69	3.27	15.79	1.06	-32.11	14.3
L 100 x 65 x 6	99.23	14.71	3.22	33.92	6.79	1.89	113.68	3.45	19.47	1.43	-33.95	23.1
L 100 x 65 x 7	114.01	16.99	3.21	38.76	7.82	1.87	130.41	3.43	22.36	1.42	-38.78	22.9
L 100 x 65 x 8	128.31	19.23	3.20	43.40	8.82	1.86	146.55	3.42	25.17	1.42	-43.37	22.8
L 100 x 65 x 9	142.17	21.43	3.18	47.86	9.80	1.85	162.10	3.40	27.92	1.41	-47.72	22.7
L 100 x 65 x 10	155.59	23.58	3.17	52.13	10.75	1.83	177.10	3.38	30.62	1.41	-51.85	22.5
L 100 x 75 x 6	104.17	15.05	3.20	50.99	8.99	2.24	128.23	3.56	26.94	1.63	-43.10	29.2
L 100 x 75 x 7	119.73	17.39	3.19	58.41	10.37	2.23	147.15	3.54	30.98	1.62	-49.34	29.1
L 100 x 75 x 8	134.80	19.69	3.18	65.55	11.71	2.21	165.42	3.52	34.93	1.62	-55.30	29.0
L 100 x 75 x 9	149.41	21.94	3.16	72.43	13.03	2.20	183.05	3.50	38.80	1.61	-60.99	28.9
L 100 x 75 x 10	163.58	24.15	3.15	79.06	14.31	2.19	200.04	3.48	42.59	1.61	-66.42	28.8
L 120 x 80 x 6	175.68	21.48	3.88	64.35	10.42	2.35	203.73	4.18	36.30	1.77	-62.52	24.2
L 120 x 80 x 8	228.32	28.18	3.85	82.92	13.59	2.32	264.13	4.15	47.11	1.75	-80.55	24.0
L 120 x 80 x 10	278.24	34.66	3.83	100.25	16.63	2.30	321.02	4.11	57.47	1.74	-97.18	23.8
L 130 x 65 x 6	203.50	24.11	4.24	36.17	6.97	1.79	216.78	4.37	22.88	1.42	-48.98	15.2
L 130 x 65 x 8	264.61	31.64	4.21	46.33	9.07	1.76	281.38	4.34	29.56	1.41	-62.78	15.0
L 130 x 65 x 10	322.62	38.94	4.18	55.72	11.07	1.74	342.40	4.30	35.94	1.39	-75.30	14.7
L 130 x 75 x 6	213.86	24.71	4.23	54.62	9.26	2.14	235.64	4.44	32.85	1.66	-62.78	19.1
L 130 x 75 x 8	278.29	32.45	4.20	70.28	12.06	2.11	306.00	4.41	42.57	1.64	-80.82	18.9
L 130 x 75 x 10	339.55	39.94	4.17	84.84	14.75	2.09	372.54	4.37	51.85	1.63	-97.42	18.7
L 130 x 90 x 10	361.93	41.19	4.15	143.95	21.21	2.62	425.37	4.50	80.51	1.96	-133.61	25.4
L 130 x 90 x 12	424.36	48.70	4.12	167.70	24.98	2.59	497.43	4.46	94.63	1.95	-155.22	25.2
L 140 x 90 x 8	363.39	38.49	4.52	121.03	17.44	2.61	414.69	4.83	69.73	1.98	-122.75	22.7
L 140 x 90 x 10	444.32	47.44	4.49	146.83	21.39	2.58	505.97	4.80	85.18	1.97	-148.80	22.5

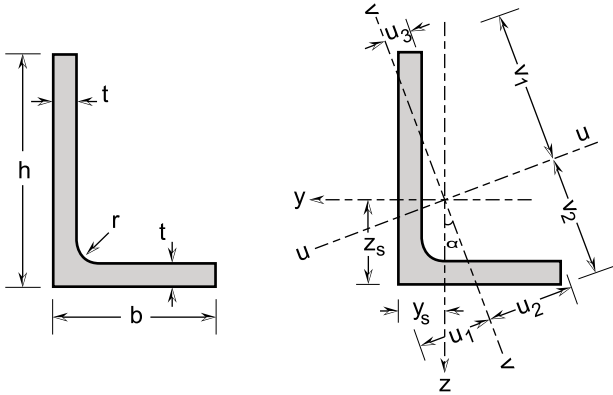
L

گروپی چیوه



Chiwa Group
For Steel & Fence

Iraq - Kurdistan - Erbil
E-mail: aram@chiwagroup.com
Tel: 066 229 4058 / 0750 445 8512
www.chiwagroup.com



Designation		Dimensions					Position of axes							
	G kg/m	h mm	b mm	t mm	r mm	A mm ² x10 ²	y _s mm	z _s mm	v ₁ mm	v ₂ mm	u ₁ mm	u ₂ mm	u ₃ mm	
L 140 x 90 x 12	20.93	140	90	12	15 / 2 *	26.16	22.09	47.08	94.35	69.34	38.32	49.19	25.64	
L 150 x 75 x 8	13.89	150	75	8	16 / 2 *	17.36	15.57	53.05	97.66	66.68	28.83	45.44	17.68	
L 150 x 75 x 10	17.20	150	75	10	16 / 2 *	21.50	16.33	53.81	97.15	67.08	29.60	45.23	18.36	
L 150 x 90 x 10	18.40	150	90	10	16 / 2 *	23.00	20.64	50.63	100.40	71.40	36.80	50.86	23.91	
L 150 x 90 x 11	20.16	150	90	11	16 / 2 *	25.19	21.02	51.01	100.20	71.55	37.22	50.82	24.22	
L 150 x 90 x 12	21.89	150	90	12	16 / 2 *	27.36	21.39	51.38	100.00	71.70	37.63	50.79	24.53	
L 150 x 100 x 8	15.49	150	100	8	17 / 2 *	19.36	22.99	47.98	102.50	75.27	40.60	53.61	27.70	
L 150 x 100 x 10	19.20	150	100	10	17 / 2 *	24.00	23.74	48.73	102.18	75.51	41.49	53.63	28.27	
L 150 x 100 x 12	22.85	150	100	12	17 / 2 *	28.56	24.48	49.47	101.86	75.75	42.37	53.65	28.84	
L 160 x 100 x 8	16.38	160	100	8	17 / 2 *	20.47	21.49	50.58	109.86	75.34	38.17	55.58	24.12	
L 160 x 100 x 10	20.25	160	100	10	17 / 2 *	25.31	22.41	51.67	109.16	76.07	39.45	54.99	24.80	
L 160 x 100 x 12	24.06	160	100	12	17 / 2 *	30.07	23.27	52.65	108.56	76.64	40.58	54.60	25.46	
L 180 x 90 x 8	16.77	180	90	8	18 / 2 *	20.96	18.07	63.06	117.59	79.71	33.98	54.74	20.73	
L 180 x 90 x 10	20.80	180	90	10	18 / 2 *	26.00	18.84	63.82	117.08	80.11	34.76	54.52	21.40	
L 180 x 90 x 12	24.77	180	90	12	18 / 2 *	30.96	19.60	64.59	116.58	80.50	35.53	54.31	22.08	
L 200 x 100 x 8	18.69	200	100	8	20 / 2 *	23.36	19.74	69.72	130.88	88.40	37.41	60.94	22.76	
L 200 x 100 x 10	23.20	200	100	10	20 / 2 *	29.00	20.51	70.49	130.37	88.80	38.20	60.72	23.43	
L 200 x 100 x 12	27.65	200	100	12	20 / 2 *	34.56	21.27	71.26	129.86	89.19	38.97	60.51	24.11	
L 200 x 100 x 15	34.20	200	100	15	20 / 2 *	42.75	22.41	72.40	129.10	89.77	40.11	60.20	25.11	
L 200 x 100 x 16	36.36	200	100	16	20 / 2 *	45.44	22.78	72.77	128.85	89.96	40.48	60.09	25.44	
L 200x150x12	32.45	200	150	12	20 / 2 *	40.56	36.61	61.61	138.68	109.07	62.00	74.45	45.63	
L 200x150x15	40.2	200	150	15	20 / 2 *	50.25	37.72	62.71	138.34	109.33	63.41	74.66	46.41	

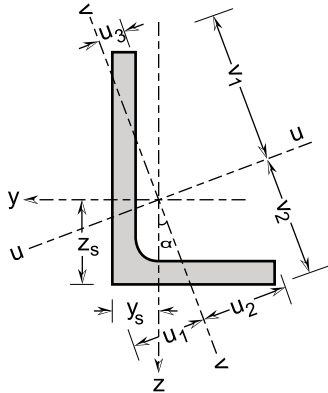
L

گروپی چیوه



Chiwa Group
For Steel & Fence

Iraq - Kurdistan - Erbil
E-mail: aram@chiwagroup.com
Tel: 066 229 4058 / 0750 445 8512
www.chiwagroup.com



Designation	Axis y-y			Axis z-z			Axis u-u		Axis v-v		I_{yz} mm ⁴ x10 ⁴	
	I_y mm ⁴ x10 ⁴	$W_{el,y}$ mm ³ x10 ³	i_y mm x10	I_z mm ⁴ x10 ⁴	$W_{el,z}$ mm ³ x10 ³	i_z mm x10	I_u mm ⁴ x10 ⁴	i_u mm x10	I_v mm ⁴ x10 ⁴	i_v mm x10		
L 140 x 90 x 12	521.63	56.14	4.47	171.10	25.20	2.56	592.64	4.76	100.09	1.96	-173.02	22.3
L 150 x 75 x 8	411.98	42.49	4.87	72.72	12.24	2.05	438.53	5.03	46.17	1.63	-98.55	15.1
L 150 x 75 x 10	503.92	52.39	4.84	87.84	14.97	2.02	535.53	4.99	56.23	1.62	-118.95	14.9
L 150 x 90 x 10	537.46	54.09	4.83	149.47	21.55	2.55	597.64	5.10	89.29	1.97	-164.23	20.1
L 150 x 90 x 11	585.09	59.10	4.82	162.03	23.49	2.54	649.96	5.08	97.16	1.96	-177.91	20.0
L 150 x 90 x 12	631.69	64.05	4.80	174.22	25.39	2.52	701.01	5.06	104.90	1.96	-191.09	19.9
L 150 x 100 x 8	455.24	44.62	4.85	166.49	21.62	2.93	527.71	5.22	94.01	2.20	-161.80	24.1
L 150 x 100 x 10	557.50	55.05	4.82	202.51	26.56	2.90	644.98	5.18	115.03	2.19	-196.74	24.0
L 150 x 100 x 12	655.51	65.21	4.79	236.58	31.33	2.88	756.75	5.15	135.34	2.18	-229.49	23.8
L 160 x 100 x 8	532.32	48.65	5.10	160.71	20.47	2.80	596.44	5.40	96.60	2.17	-167.14	20.99
L 160 x 100 x 10	654.97	60.46	5.09	197.48	25.45	2.79	734.26	5.39	118.19	2.16	-206.31	21.02
L 160 x 100 x 12	772.72	71.98	5.07	232.29	30.27	2.78	866.00	5.37	139.01	2.15	-243.13	20.99
L 180 x 90 x 8	722.38	61.77	5.87	128.69	17.89	2.48	769.75	6.06	81.32	1.97	-174.26	15.2
L 180 x 90 x 10	886.71	76.32	5.84	156.22	21.95	2.45	943.63	6.02	99.30	1.95	-211.70	15.0
L 180 x 90 x 12	1044.99	90.54	5.81	182.18	25.88	2.43	1110.55	5.99	116.62	1.94	-246.71	14.9
L 200 x 100 x 8	998.19	76.62	6.54	178.66	22.26	2.77	1064.20	6.75	112.65	2.20	-241.77	15.3
L 200 x 100 x 10	1227.46	94.78	6.51	217.46	27.36	2.74	1307.13	6.71	137.79	2.18	-294.64	15.1
L 200 x 100 x 12	1449.11	112.56	6.47	254.23	32.29	2.71	1541.31	6.68	162.03	2.17	-344.50	15.0
L 200 x 100 x 15	1767.81	138.54	6.43	305.95	39.43	2.68	1876.75	6.63	197.01	2.15	-413.67	14.8
L 200 x 100 x 16	1870.49	147.02	6.42	322.35	41.75	2.66	1984.46	6.61	208.38	2.14	-435.24	14.7
L 200x150x12	1667.56	120.49	6.41	816.63	72.02	4.49	2053.164	7.11	431.02	3.26	-690.52	29.2
L 200x150x15	2037.95	148.44	6.37	992.97	88.43	4.45	2503.374	7.06	527.55	3.2400	-838.44	29.0